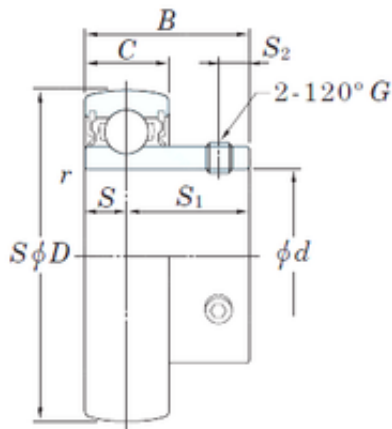




China abec 7 Bearing Supplier



Koyo Japan Brand Insert Ball Bearing UC205 UC207 UC209 for Building Machine

Bearing No. UC205

Size	25x52x34.1 mm
Bore Diameter	25 mm
Outer Diameter	52 mm
Width	34,1 mm
d	25 mm
D	52 mm
B	34,1 mm
C	17 mm
S1	19,8 mm
r min.	1 mm
S	14,3 mm
S2	5,5 mm
Thread (G)	M6 × 0,75
Weight	0,2 Kg
Basic dynamic load rating (C)	14 kN
Basic static load rating (C0)	7,85 kN
Category	Bearings
Inventory	0.0
Manufacturer Name	KOYO
Minimum Buy Quantity	N/A
Weight / Kilogram	0
Product Group	M06110

UC205 Bearing 2D drawings and 3D CAD models